

## Y-Strainers

AW32/1

DN50 - DN400

PN 10/16

Y-Strainer is used to strain dirt particles from fluid in pipelines and provide inexpensive protection for pumps, meters, valves, traps, turbines and compressors.

### Technical Details

**Face to Face in accordance to:**

DIN 3202-1 F1 (EN 558-1 Series 1)

**Maximum Working Pressure PFA:**

16 bar / PN16

**Working temperature:**

Maximum +90°C

**Certification:**

Hygienic Certificate PZH

**Flange Type:**

EN 1092-2 PN10 & PN16

**Coating:**

300 µm FBE coating, external and internal - RAL5015

**Installation:**

Horizontal, Vertical - assembly in vertical or skew position is possible only in case medium flow from up to down

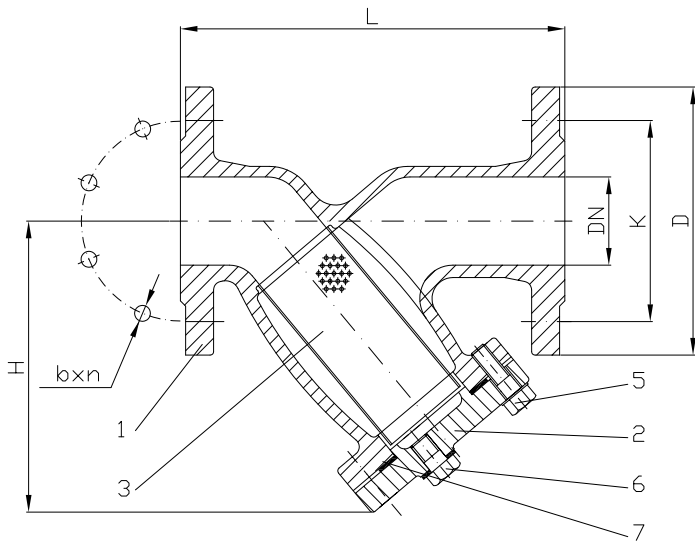
**Application:**

Installation for water, potable water, irrigation water and other chemically inert fluids

### Design features

- Fitted with a drain plug for easy routine cleaning, or for adaptation of a blow-off valve
- All parts with chemical resistance against corrosion, strainer screen from stainless steel 316
- Full flow area.



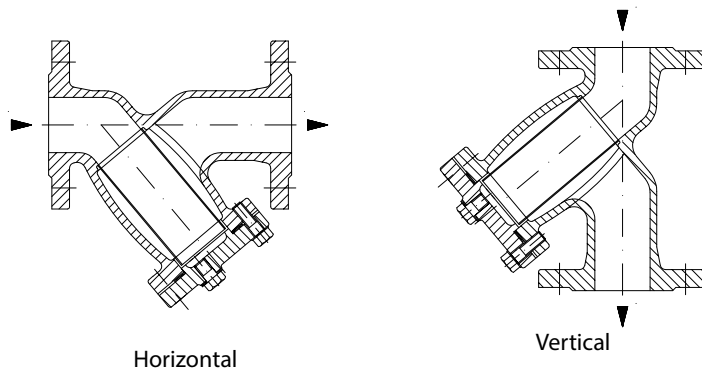


No	Part Name	Material
1	Body	Ductile Iron EN-GJS-500-7
2	Bonnet	Ductile Iron EN-GJS-500-7
3	Strainer Screen	Stainless Steel X5CrNiMo17-12-2 / 1.4401 / 316
4	Bonnet Gasket	Elastomer EPDM
5	Bonnet Bolts	Stainless Steel X5CrNiMo17-12-2 / 1.4401 / 316
6	Vent Plug	Stainless Steel X5CrNiMo17-12-2 / 1.4401 / 316

### Standard Screens

Size	Hole Diameter	Free Flow Area
DN50 - DN150	1,5 mm	33%
DN200 - DN400	3,0	40%

### Mounting Position



Horizontal

Vertical

### Dimension (mm & kg)

Group	DN	50	65	80	100	125	150	200	250	300	350	400
AW32/1	PN16	AV5009	AV5011	AV5013	AV5001	AV5025	AV5003	AV5005	AV5018	AV5019	AV5020	AC1116
	PN10							AV5015	AV5021	AV5022	AV5023	AV5024
L		230	290	310	350	400	480	600	730	850	980	1100
H		165	180	200	245	285	330	425	510	575	645	734
K	PN16 / PN10	125	145	160	180	210	240	295	355 / 350	410 / 400	460 / 470	515 / 525
b x n	PN16 / PN10	19x4	19x4	19x8	19x8	19x8	23x8	23x12 / 23x8	28x12 / 23x12	28x12 / 23x12	28x16 / 23x16	31x16 / 28x16
D		165	185	200	220	250	285	340	405	460	520	580
Vent Plug		1/2"	1"	1"	1"	1-1/4"	1-1/2"	1-1/2"	2"	2"	2"	2"
Weight kg		11	16	21	28	42	65	104	168	261	362	481